

在 Windows 以 USB 方式安裝及連接 MAXIFY GX3070 打印機
Installing MAXIFY GX3070 on Windows via USB connection

****注意: 安裝驅動程式前請勿接駁 USB 線，以免系統發生錯誤****

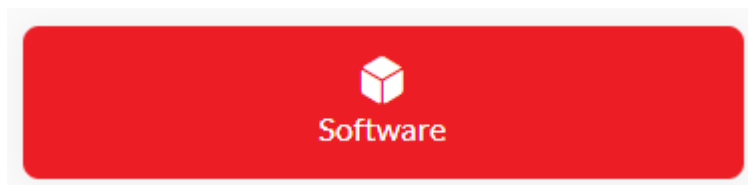
**** Please don't plug the USB cable until the driver asked to do so****

下載及安裝步驟

Driver download and Installation procedure

1. 到以下佳能網站並下載印表機的驅動程式
Go to below Canon webpage and download the printer driver
<https://hk.canon/en/support/maxify%20gx3070/model>

2. 選擇並下載以下檔案
Choose and download below file



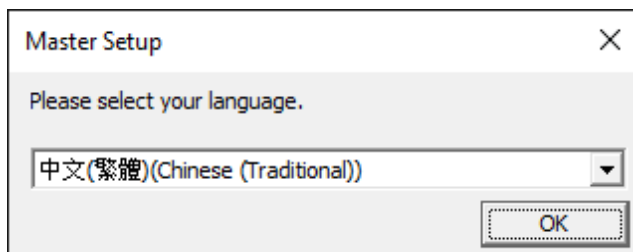
Master Setup (Windows)

<https://hk.canon/en/support/0101116303>

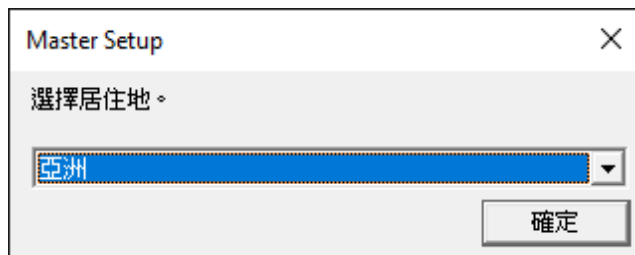
3. 按網頁內的 [Download]，下載完成後開啟該檔案安裝
Click [Download] in the webpage, and then execute the file after download was completed



4. 選擇語言，然後按 [OK]
Choose the language, then click [OK]



5. 選擇亞洲，然後按〔確定〕
Choose Asia, then click [OK]



6. 按〔開始設定〕
Click [Start Setup]



7. 請等候

Please wait



8. 按〔是〕

Click [Yes]



9. 閱後按〔同意〕或〔不同意〕

Click [Agree] or [Do not agree] after reading



10. 請等候

Please wait



11. 確認印表機電源已開啟，再按〔下一步〕

Confirm power on the printer, then click [Next]



12. 請等候

Please wait



13. 選擇 [USB 連接(USB 電纜線)]，再按 [下一步]

Choose [USB Connection (USB Cable)], then click [Next]



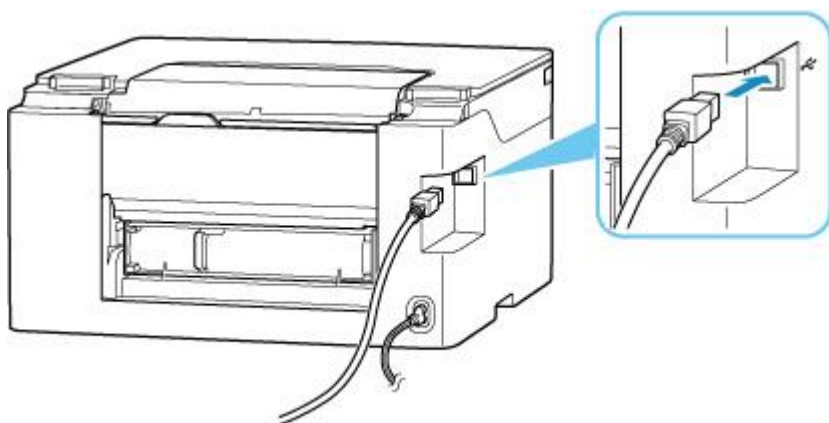
14. 請等候

Please wait



15. 使用 USB 電纜線連接打印機和電腦

Connect printer and computer with USB cable



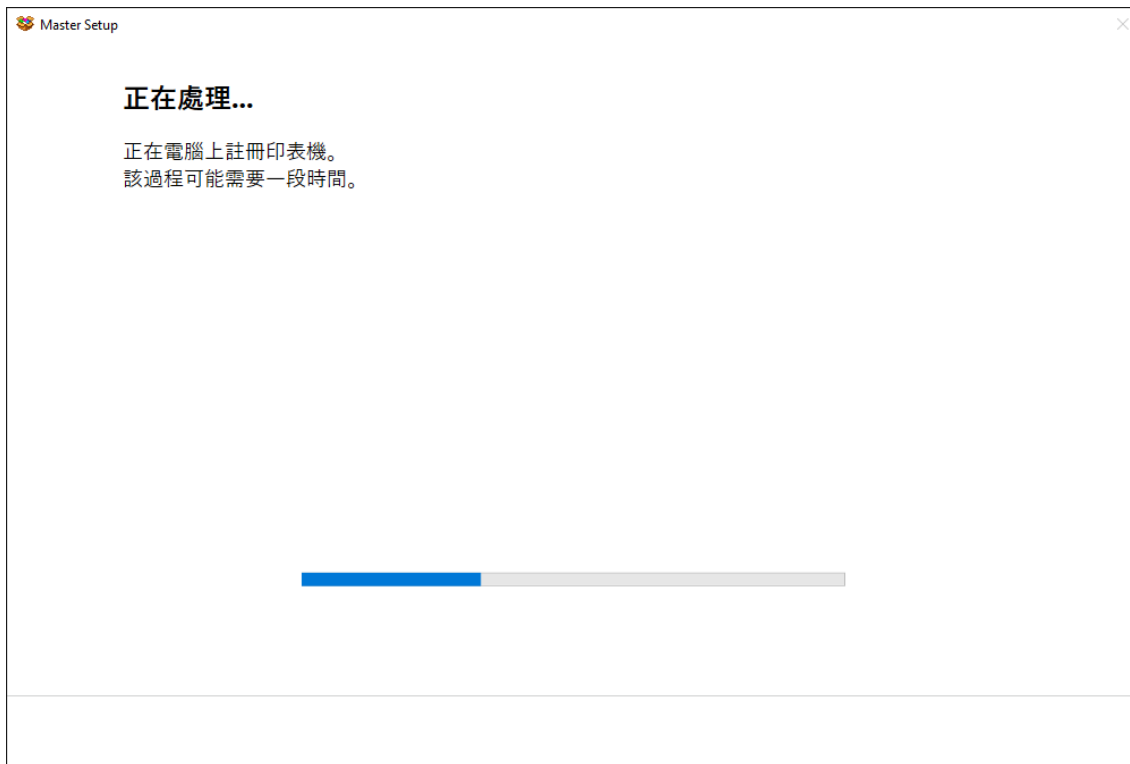
16. 成功偵查印表機後請等候安裝

Please wait for install after detect the printer



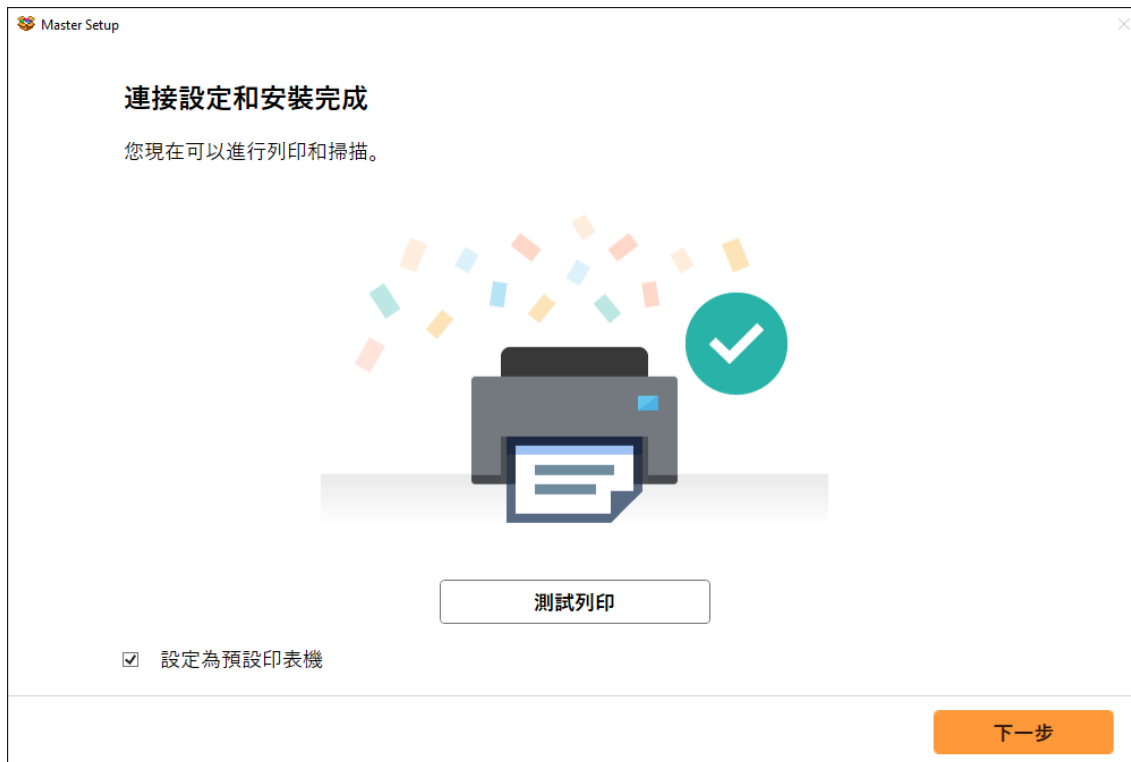
17. 請等候安裝

Please wait for install



18. 按〔下一步〕

Click [Next]



19. 安裝完成

Driver installation was completed



-完-
-End-