

在 Windows 以 USB 方式安裝及連接 MAXIFY GX3070 打印機

Installing MAXIFY GX3070 on Windows via USB connection

****注意: 安裝驅動程式前請勿接駁 USB 線，以免系統發生錯誤****

**** Please don't plug the USB cable until the driver asked to do so****

下載及安裝步驟

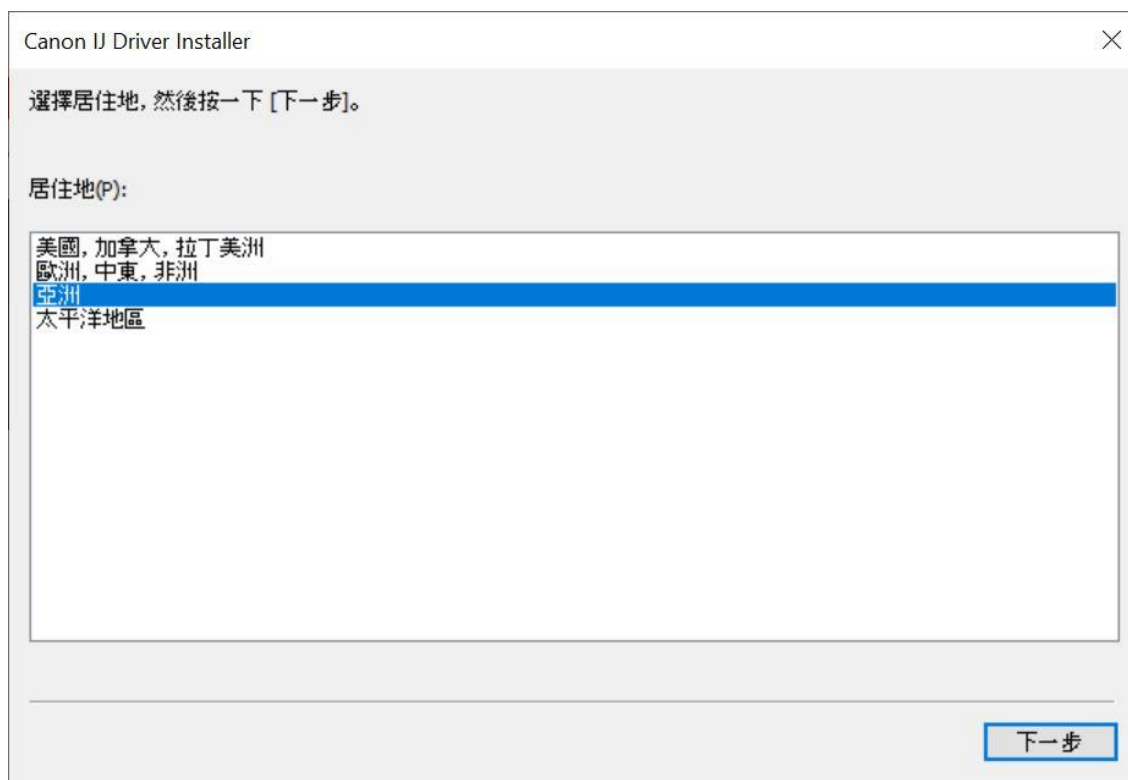
Driver download and Installation procedure

1. 到以下佳能網站並下載印表機的驅動程式
Go to below Canon webpage and download the printer driver
<https://hk.canon/en/support/maxify%20gx3070/model>
2. 選擇並下載以下檔案
Choose and download below file
[GX3070 MP Driver Ver.x.xx \(Windows\)](#)
3. 按上面網頁內的〔Download〕，下載完成後開啟該檔案安裝
Click [Download] in the webpage above, and then execute the file after download was completed
4. 按〔下一步〕
Click [Next]



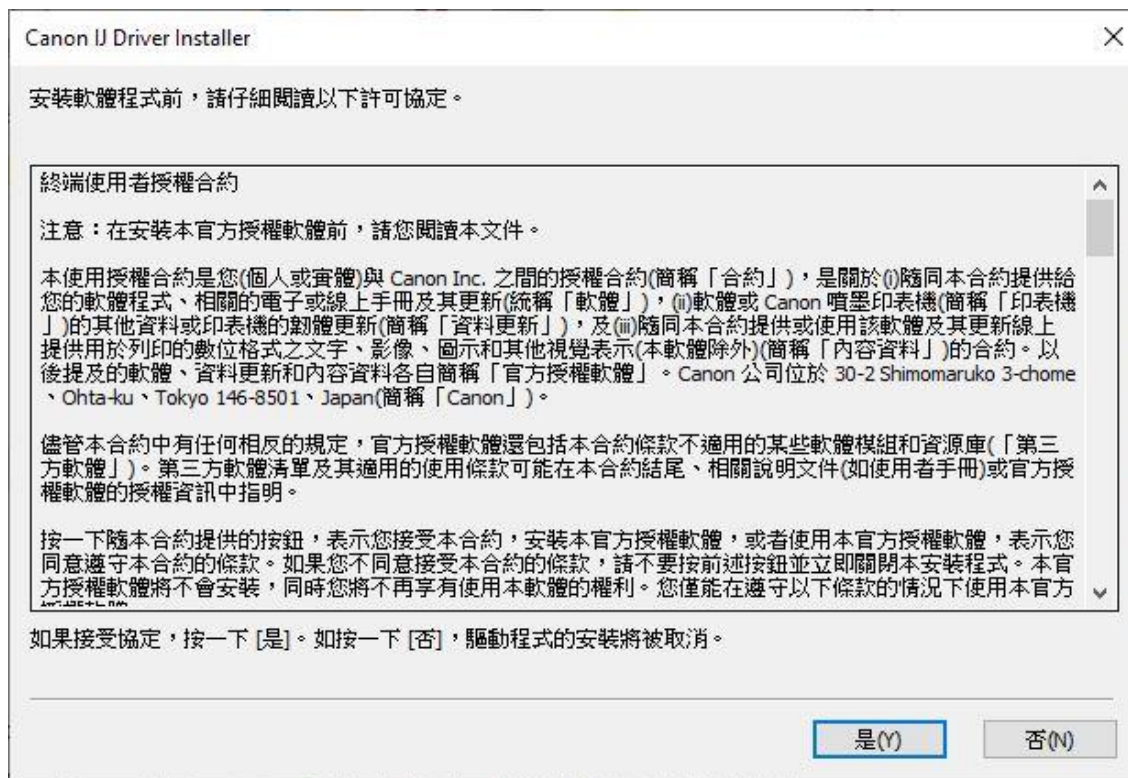
5. 選擇〔亞洲〕，按〔下一步〕

Select [Asia]; click [Next]

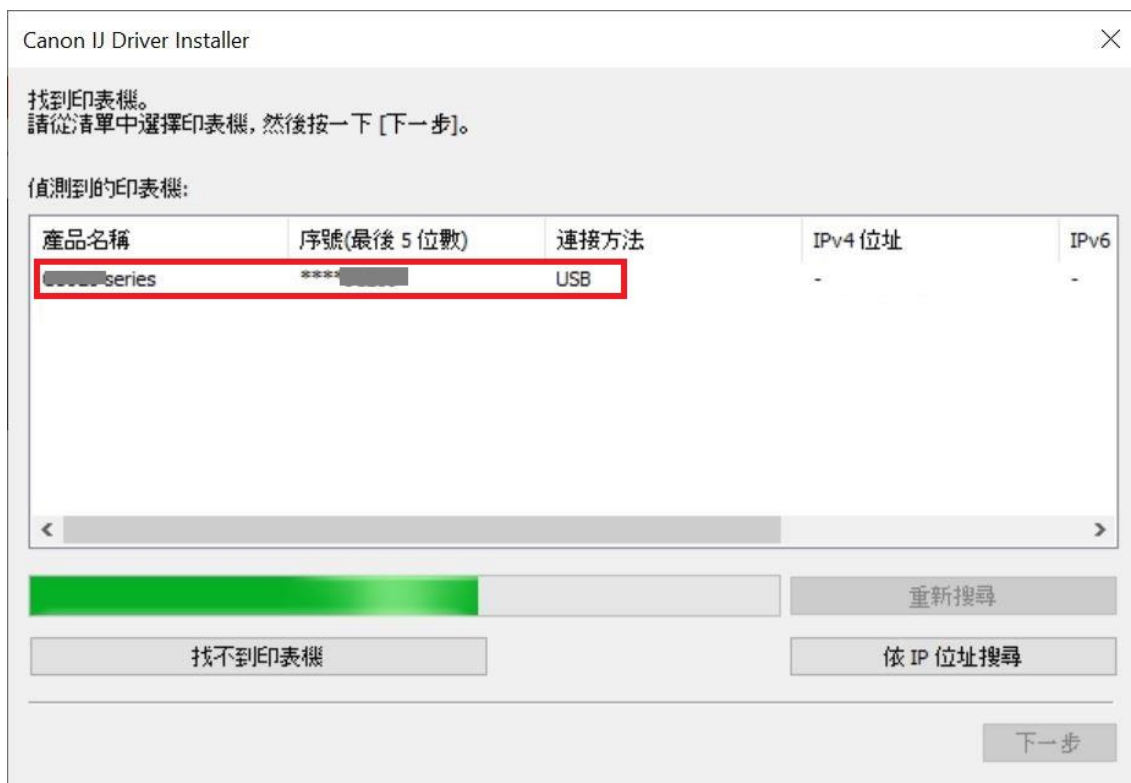
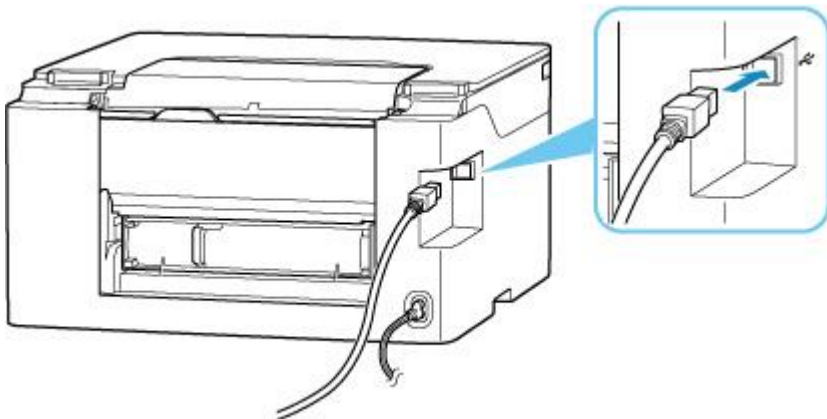


6. 按〔是〕

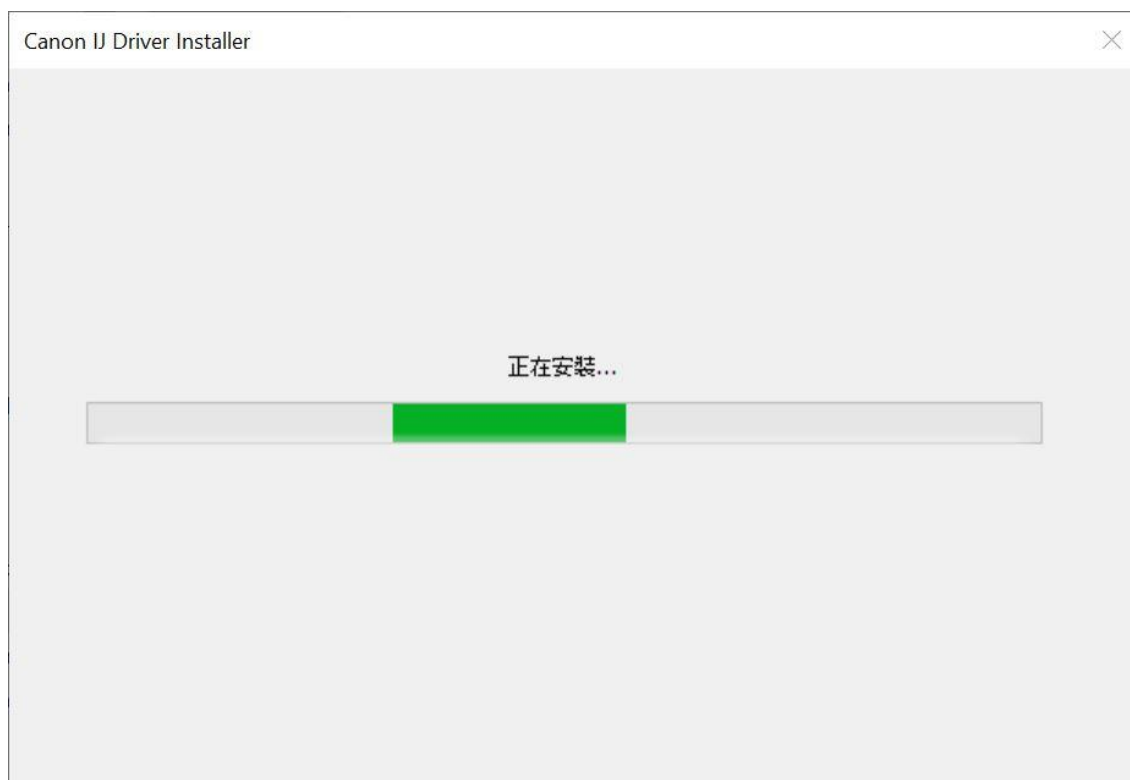
Click [Yes]



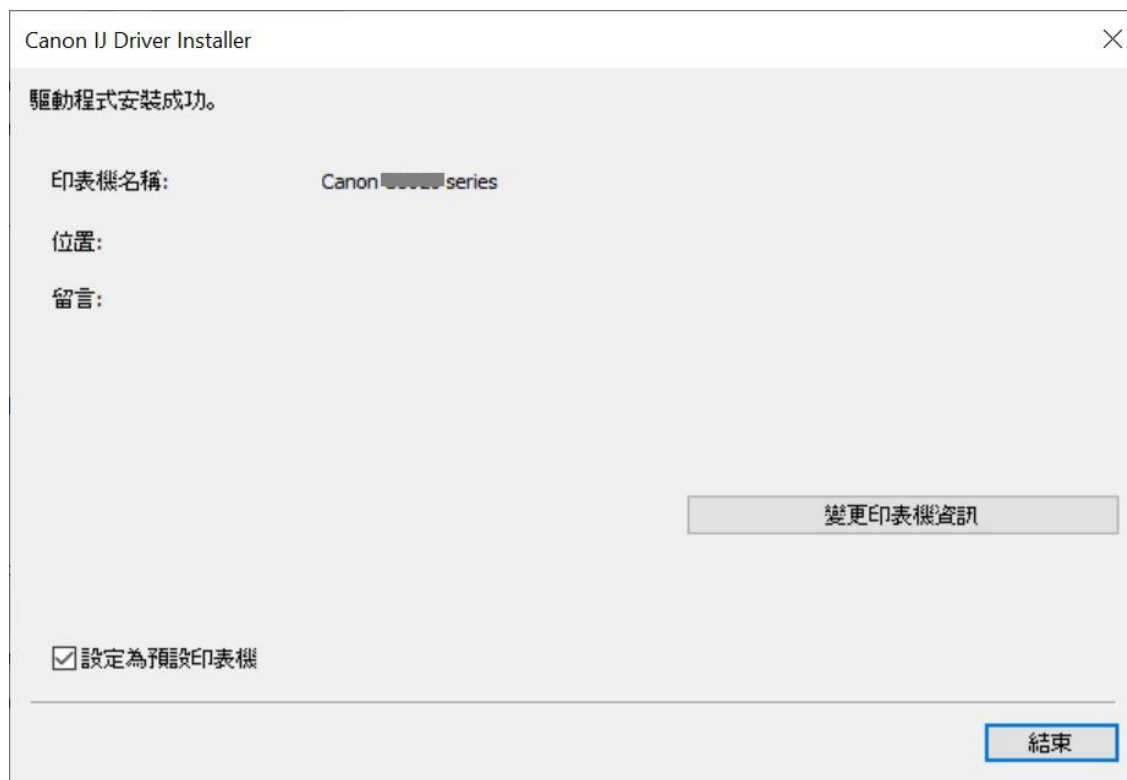
7. 如下圖所示，連接 USB 線，然後在清單中選擇連接方法為 USB 的打印機，按〔 下一步 〕
As the illustration below, connect the USB cable, then select the printer with USB connection method from the list, click [Next]



8. 正在安裝印表機驅動程式，請稍候
Installing the driver, please wait



9. 安裝完成，按〔結束〕
Driver installation was completed; click [Finish]



-完-
-End-